



Grommes~Precision Precision Electronics



DESIGNED AND
MADE IN U.S.A.



CV-600

Speaker Line To Amp/Pre-Amp Input

The **CV-600** is designed to isolate and convert balanced or unbalanced speaker line level (25V, 70V, or 100V) or 4-8 ohm direct speaker level voltage into a useable 600 ohm/line balanced and unbalanced signal output that can feed an additional amplifier.

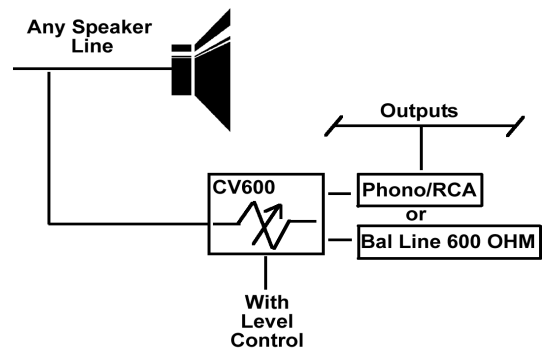
Approximately the size of the palm of your hand, this light accessory comes with mounting holes on the side, for your mounting convenience.

And, with over a half-century of experience in the business, **Grommes~Precision's CV-600** is made in America, and is backed by **Grommes~Precision's** unbeatable expertise and Assurance Policy: a **7 year warranty** and **30 Day Money Back Guarantee**.

Grommes~Precision Amplifying Since 1946.

Features

- Steps Input Levels of Up to 140 Volts Down to 600 ohm/Line Level
- 70V Input Produces 1V Balanced Output Into 600 Ohms.
- Center-Tapped Output, Fully Isolated From Input
- Level Control
- Barrier Screw Strip Input, Standard Screw Strip Balanced/Unbalanced Output
- RCA Hi-Z Output Jack
- Sturdy Steel Cabinet



CV600

	CV-600
MAXIMUM INPUT	140V
OUTPUT	600 ohm
FREQ. RESPONSE	50Hz to 20kHz \pm 3dB
DIMENSIONS	2.75"Wx2.75"Hx4.88"D
WEIGHT	2LBS



Grommes~Precision

Grommes~Precision

847-599-1799 · 800-SINCE-46 · FAX: 847-599-6178

1331 Estes Ave. · Gurnee, IL 60031 · USA

www.grommesprecision.com